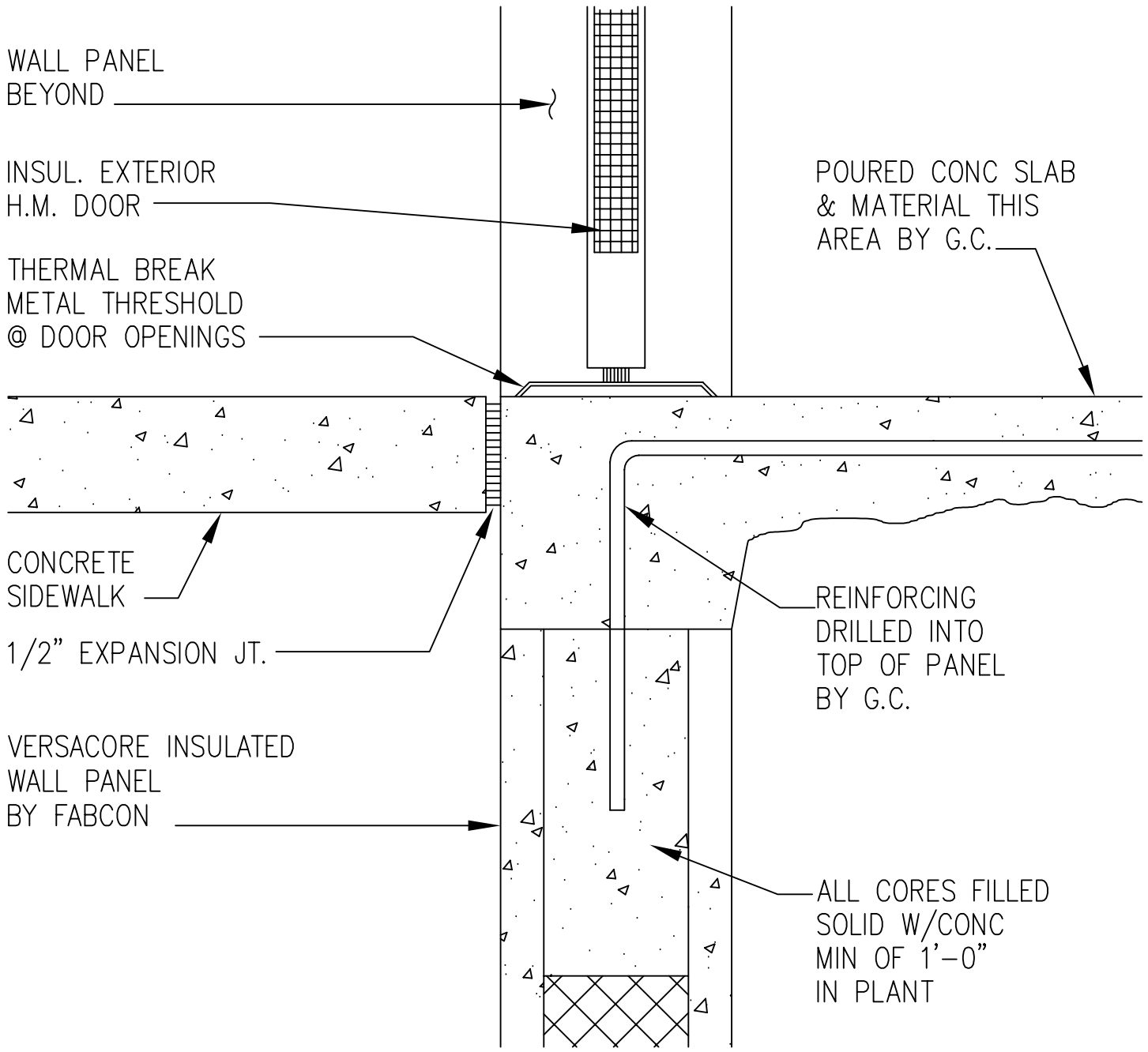


SLAB @ PEDESTRIAN DOOR OPENING



○ DETAIL
1 1/2" = 1'-0"