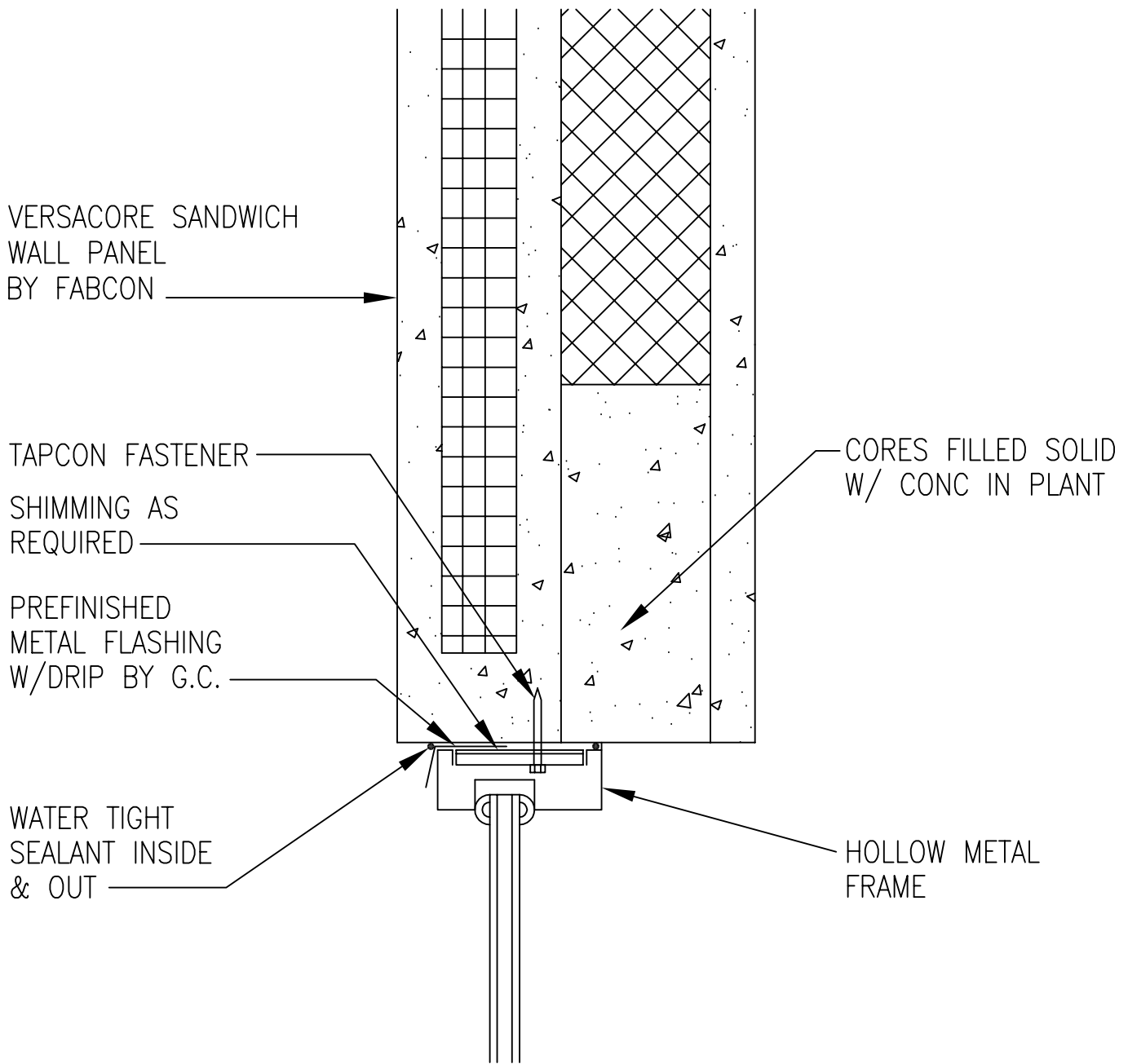


WINDOW HEAD



DETAIL
 $1 \frac{1}{2}'' = 1'-0''$